

# 75TR



Concrete solutions. Always.

**Engine V2607-CR-T**

**Engine power 44,3 kW - 60,2 HP**

**Transport weight 7.310 kg**

 **EUROCOMACH®**

Transport weight with cabin (without bucket and operator)	kg	7.310
Operating weight ISO 6016 with cabin (with bucket 195 kg and operator 75 kg)	kg	7.580
Travelling speed (AUTO TWO SPEED)	km/h	1a : 0 ÷ 2,1 / 2a : 0 ÷ 4,2
Slew speed	rpm	11

## ENGINE

Type	<b>KUBOTA V2607-CR-T - STAGE 5</b>	
Max. Power (2.200 rpm)	kW - HP	44,3 - 60,2
Displacement	cc	2.615
Number of cylinders	n°	4
Cooling	Liquid	
Consumption	lt/h	7,6
Alternator	V (A)	12 (60)
Battery	V (Ah)	12 (95)

## HYDRAULIC SYSTEM

Circuit Type	Load Sensing closed center system with "Flow Sharing" control valve	
Pump type	1 LS variable pump + 1 gear pump	
Pump displacement	cc	71 + 14
Pump capacity	lt/min	141 + 27,8
Max. circuit calibration pressure	bar	280
Auxiliary systems (max pressure): AUX 1 single or double effect with priority AUX 2 double effect AUX 3 double effect (optional)	lt/min (bar)	85 (200) 65/90 (280) 45 (280)

## PERFORMANCES

Max. digging depth with standard arm (optional arm)	mm	4.120 (4.320)
Max. dumping height with standard arm (optional arm)	mm	5.490 (5.670)
Bucket breaking force (standard arm) ISO 6015	daN	4.850
Standard boom breakout force (optional boom) ISO 6015	daN	2.900 (2.700)
Traction force	daN	7.150
Specific ground pressure	kg/cm <sup>2</sup>	0,35
Max. slope	60% - 30°	

## DIMENSIONS

Maximum width	mm	2.100
Total height	mm	2.680
Rear rotation radius	mm	1.172
Digging arm length std (optional)	mm	1.900 (2.100)
Tracks width	mm	450
Rollers number (for each side)	n°	5/1

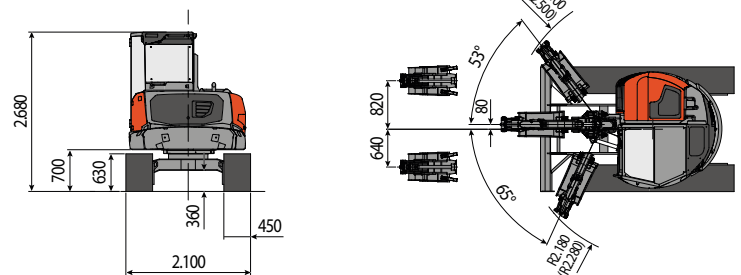
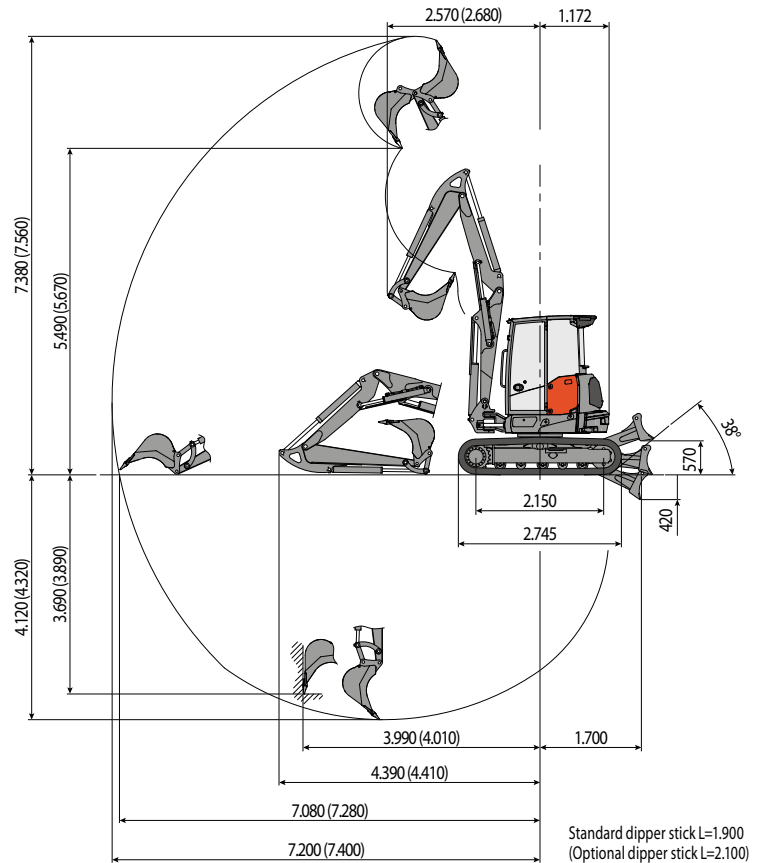
## FILLINGS

Fuel tank	lt	85
Hydraulic oil tank	lt	60
Hydraulic circuit capacity	lt	80
Cooling system capacity	lt	12
Engine oil	lt	10,2

## CONTROLS

Boom, dipper stick, bucket and turret swing	2 pilot joysticks
Positioner two pieces boom	electroproportional switch on right joystick
Tracks movement (included counter rotation)	2 pilot levers
Dozer blade	pilot lever
Priority auxiliary system with holding function AUX 1 (single or double effect)	electroproportional switch on right joystick
Auxiliary system AUX 2 (double effect)	electroproportional switch on right joystick
Low priority auxiliary system AUX 3 (double effect)	electroproportional switch on left joystick
Boom swing	electroproportional switch on left joystick

# 75TR



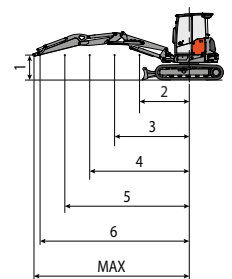
## LIFTING CAPACITY

Opening arm from the rotation's center (m)  
Lifting capacity (kg) at 1.0 m height

	2	3	4	5	6	MAX
Frontal and lowered dozer blade	*4.370	*2.140	*1.690	*1.610	*1.320	*1.210
Frontal and lifted dozer blade	*4.370	2.110	1.310	960	730	690
Lateral	3.920	1.860	1.170	860	660	620

\* Indicates the hydraulic load limit.

The lifting capacity is based on the ISO 10567 and it does not exceed more than the 75% of static tipping load or more than the 87% of the hydraulic lifting capacity of the machine.



 **EUROCOMACH**